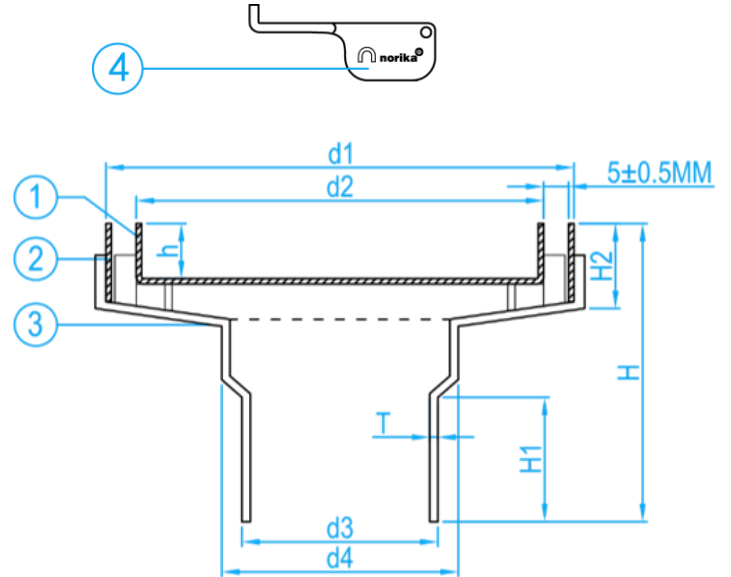


STAINLESS STEEL DECORATIVE SMARTDRAIN

COMPLY WITH SS213:1998



INSTALLATION EFFECT



CROSS SECTIONAL VIEW

*** AISI316L material is available upon request.**

CHARACTERISTIC	
Main function	Drainage, sealing
Surface treatment	Hairline
Applications	Sleek and modern smartdrain for use in residential, hotels, apartments, office buildings. HDB. Villas

COMPONENT PARTS		
ITEM	PARTS	MATERIAL
1	Tray	AISI304L
2	Frame	AISI304L
3	Base	UPVC
4	Key	PBT

DIMENSIONS											
SKU	d1 (mm)	d2 (mm)	d3 (mm)	d4 (mm)	H (mm)	H1 (mm)	H2 (mm)	h (mm)	T (mm)	WEIGHT (Kg)	PCS/CTN
SMARTDRAIN12550T	127.5	113.5	50.2	66.2	100	44	25	15.5	2.3	0.54	20
SMARTDRAIN12550M					110						